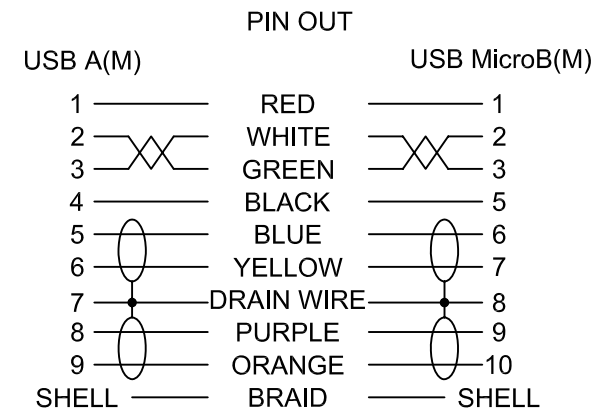
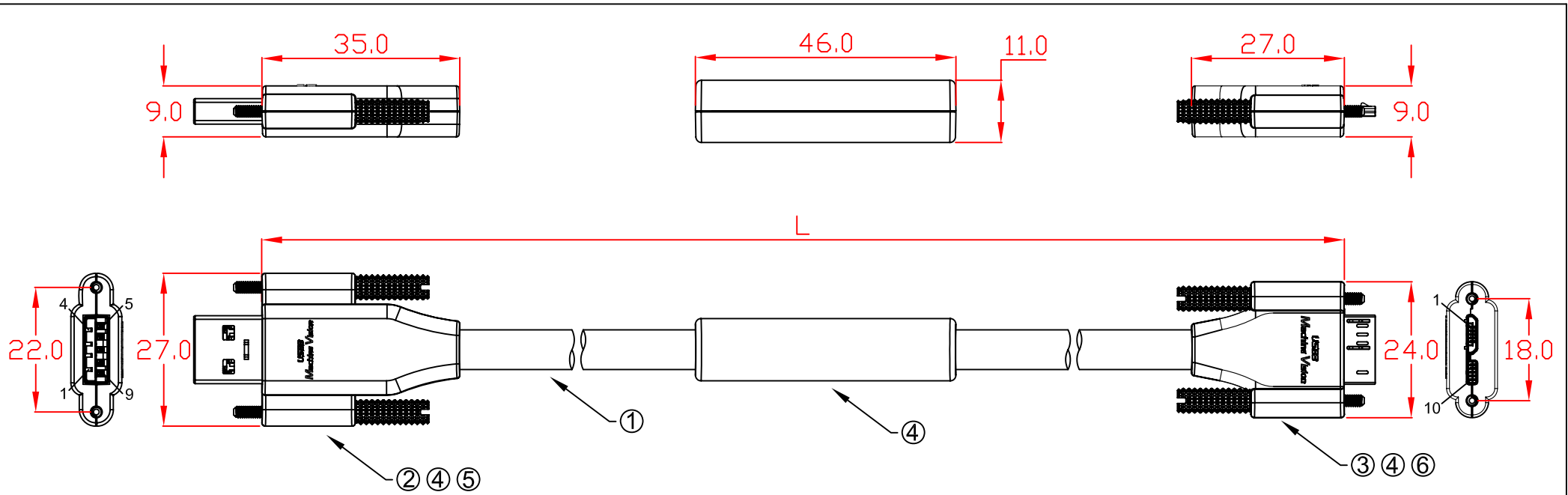


L:  
 CBL-HFPD3igMBSS-1m 1000mm±20mm  
 CBL-HFPD3igMBSS-2m 2000mm±20mm  
 CBL-HFPD3igMBSS-3m 3000mm±20mm

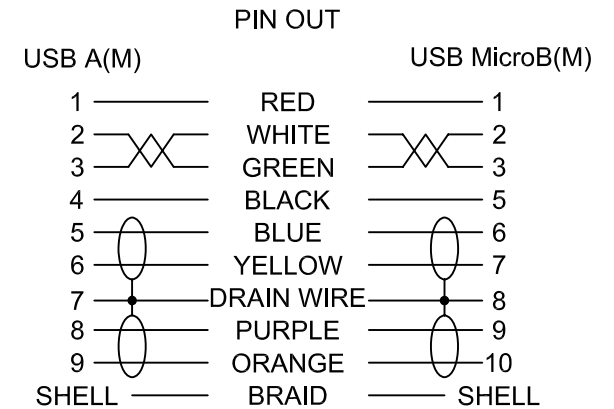


No	MATERIALS LIST:
1.	CABLE:UL20236 (2x(2x28AWG)+2x(2x28AWG)C) OD:7.0mm PUR JACKET COLOR:RED LILAC
2.	CONNECTOR:USB 3.0 A/M, 9P, BLUE INSULATOR SOLDER TYPE, NICKEL PLATED SHELL
3.	CONNECTOR:USB 3.0 MicroB/M, 10P, BLACK INSULATOR SOLDER TYPE, NICKEL PLATED SHELL
4.	ABS ASSEMBLY HOUSING, BLACK COLOR
5.	SCREW:#4x34.5 M2
6.	SCREW:#4x33 M2

Jargy part no.	Client part no.	Approved	SCALE	UNIT
CBL-HFPD3igMBSS-xm			1 : 1	mm
Drawing Name		Drawn	Date	REV.
USB 3.0 A to Micro-B Cable M/M		<i>Kevin Hsu</i>	2016/06/02	1.0

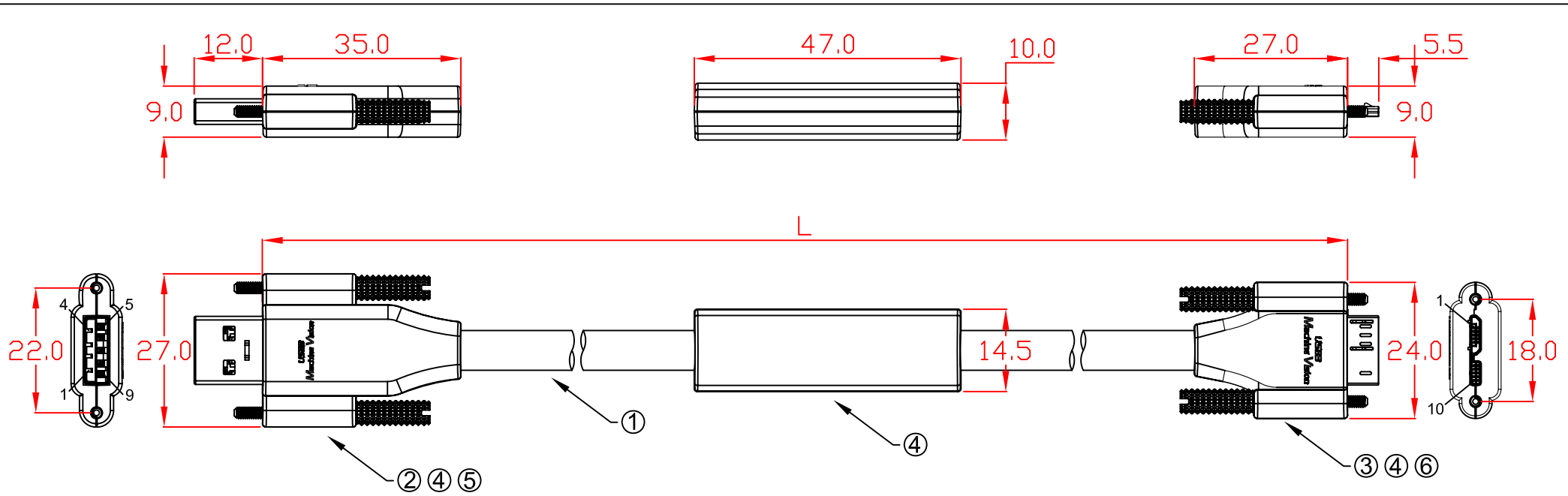


- L:  
 CBL-HFD3igMBSS-4m 4000mm±30mm  
 CBL-HFD3igMBSS-5m 5000mm±30mm  
 CBL-HFD3igMBSS-6m 6000mm±30mm  
 CBL-HFD3igMBSS-7m 7000mm±30mm

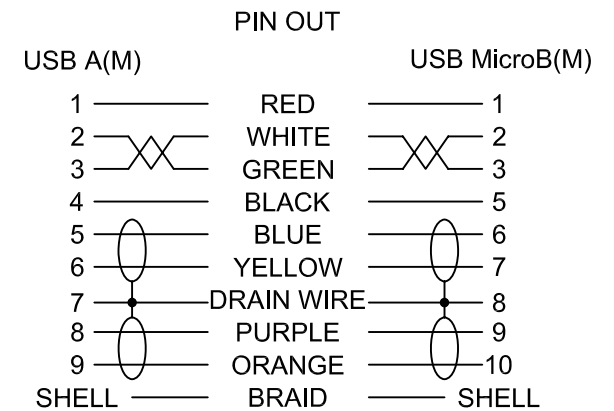


No	MATERIALS LIST:
1.	CABLE:UL20236 (2x(2x28AWG)+2x(2x28AWG)C) OD:7.0mm PUR JACKET COLOR:RED LILAC
2.	CONNECTOR:USB 3.0 A/M, 9P, BLUE INSULATOR SOLDER TYPE, NICKEL PLATED SHELL
3.	CONNECTOR:USB 3.0 MicroB/M, 10P, BLACK INSULATOR SOLDER TYPE, NICKEL PLATED SHELL
4.	ABS ASSEMBLY HOUSING, BLACK COLOR
5.	SCREW:#4x34.5 M2
6.	SCREW:#4x33 M2

Jargy part no.	Client part no.	Approved	SCALE	UNIT
CBL-HFD3igMBSS-xm			1 : 1	mm
Drawing Name		Drawn	Date	REV.
USB 3.0 A to Micro-B Cable M/M		<i>Kevin Hsu</i>	2016/06/02	1.0

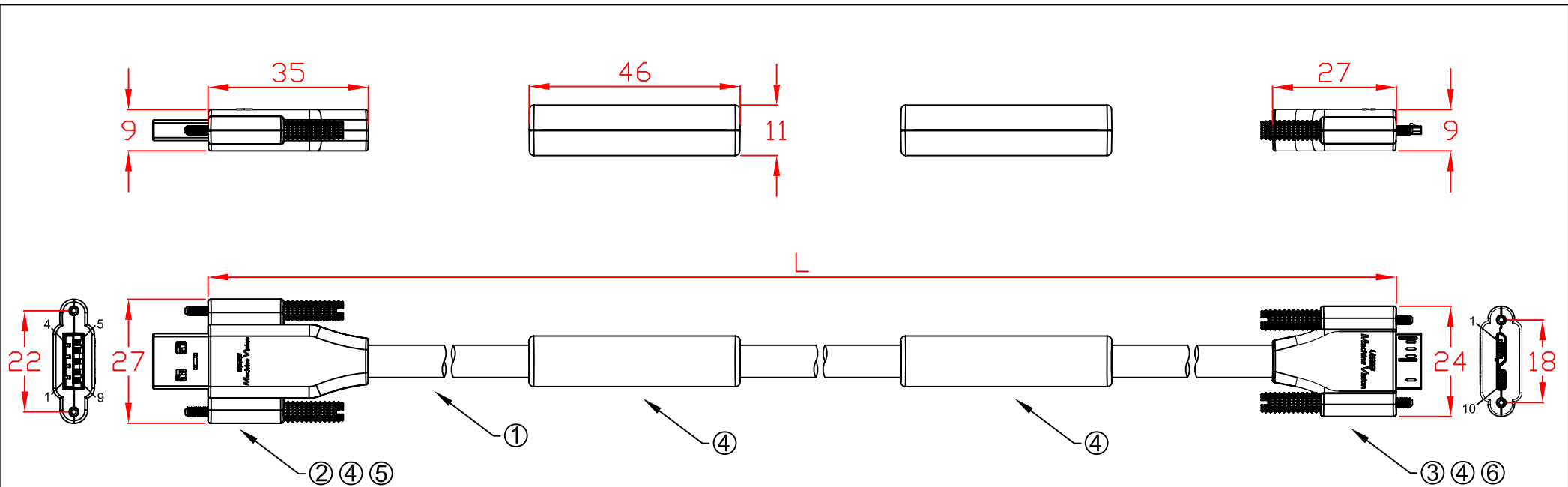


- L:
- CBL-HFD3igMBSS-4m 4000mm±30mm
  - CBL-HFD3igMBSS-5m 5000mm±30mm
  - CBL-HFD3igMBSS-6m 6000mm±30mm
  - CBL-HFD3igMBSS-7m 7000mm±30mm



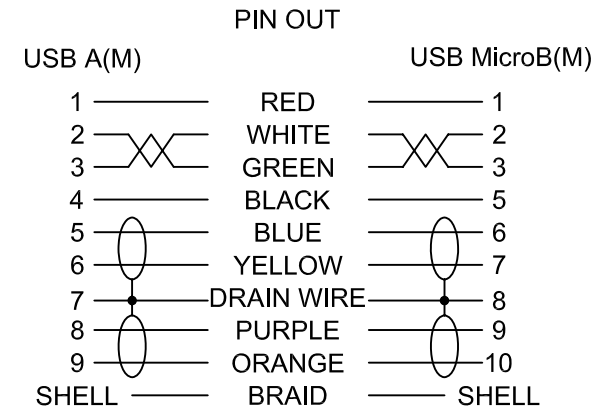
No	MATERIALS LIST:
1.	CABLE:UL20236 (2x(2x28AWG)+2x(2x28AWG)C) OD:7.0mm PUR JACKET COLOR:RED LILAC
2.	CONNECTOR:USB 3.0 A/M, 9P, BLUE INSULATOR SOLDER TYPE, NICKEL PLATED SHELL
3.	CONNECTOR:USB 3.0 MicroB/M, 10P, BLACK INSULATOR SOLDER TYPE, NICKEL PLATED SHELL
4.	ABS ASSEMBLY HOUSING, BLACK COLOR
5.	SCREW:#4x34.5 M2
6.	SCREW:#4x33 M2

Jargy part no.	Client part no.	Approved	SCALE	UNIT
CBL-HFD3igMBSS-xm			1 : 1	mm
Drawing Name		Drawn	Date	REV.
USB 3.0 A to Micro-B Cable M/M		<i>Kevin Hsu</i>	2016/08/17	1.0

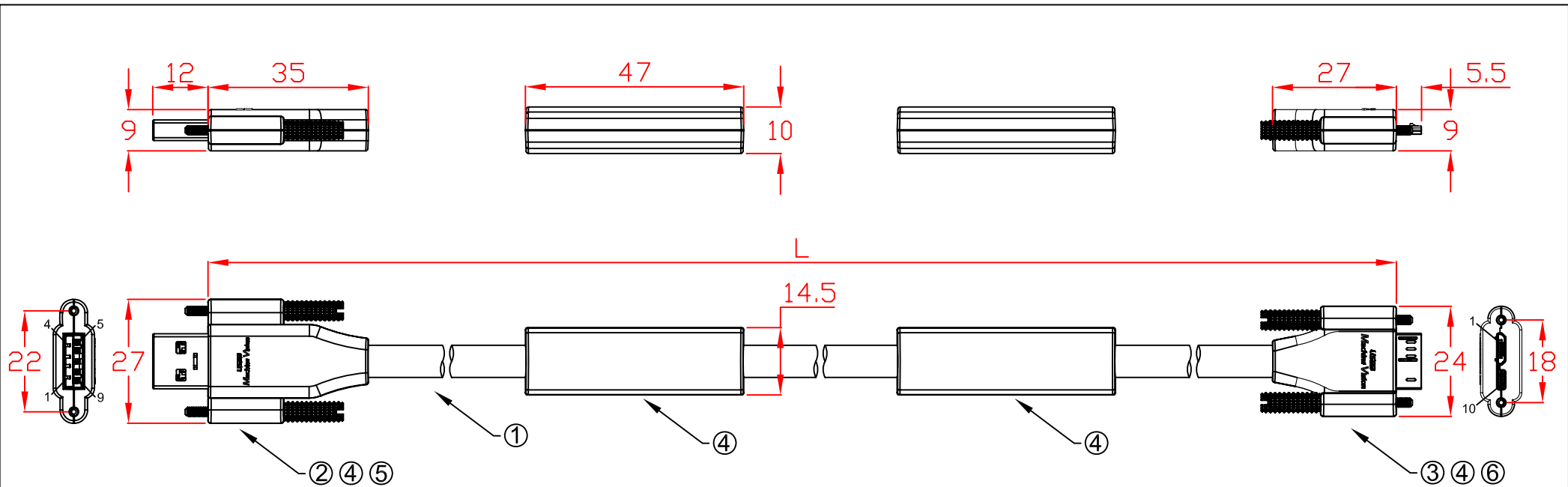


L:  
 CBL-HFD3igMBSS-8m 8000mm±50mm  
 CBL-HFD3igMBSS-9m 9000mm±50mm

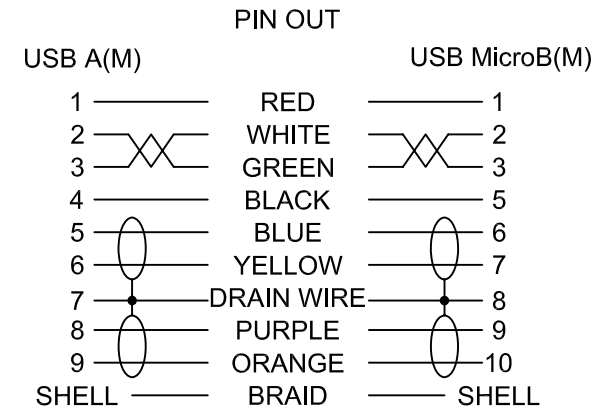
No	MATERIALS LIST:
1.	CABLE:UL20236 (2x(2x28AWG)+2x(2x28AWG)C) OD:7.0mm PUR JACKET COLOR:RED LILAC
2.	CONNECTOR:USB 3.0 A/M, 9P, BLUE INSULATOR SOLDER TYPE, NICKEL PLATED SHELL
3.	CONNECTOR:USB 3.0 MicroB/M, 10P, BLACK INSULATOR SOLDER TYPE, NICKEL PLATED SHELL
4.	ABS ASSEMBLY HOUSING, BLACK COLOR
5.	SCREW:#4x34.5 M2
6.	SCREW:#4x33 M2



Jargy part no.	Client part no.	Approved	SCALE	UNIT
CBL-HFD3igMBSS-xm			1 : 2	mm
Drawing Name		Drawn	Date	REV.
USB 3.0 A to Micro-B Cable M/M		<i>Kevin Hsu</i>	2016/06/02	1.0

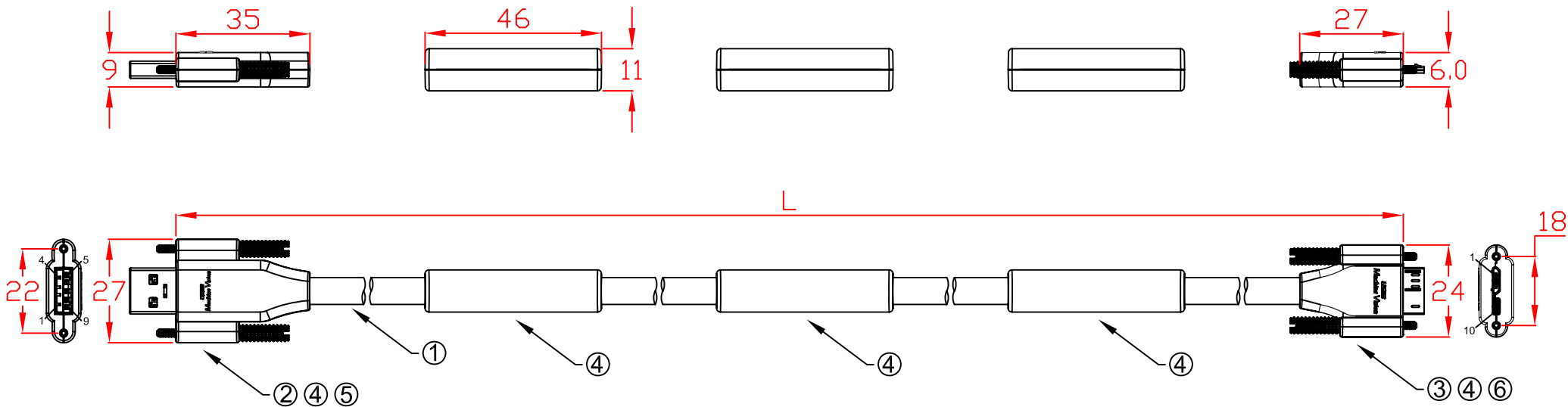


L:  
 CBL-HFD3igMBSS-8m 8000mm±50mm  
 CBL-HFD3igMBSS-9m 9000mm±50mm

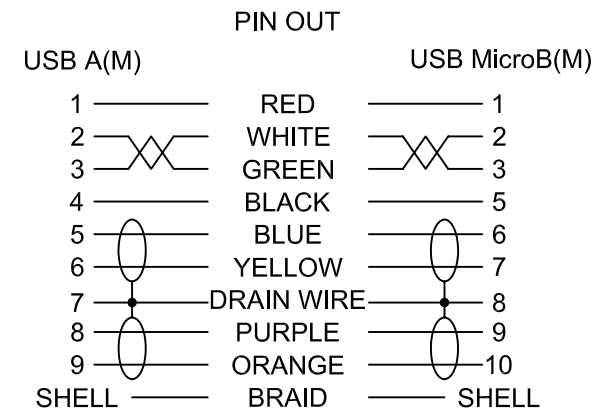


No	MATERIALS LIST:
1.	CABLE:UL20236 (2x(2x28AWG)+2x(2x28AWG)C) OD:7.0mm PUR JACKET COLOR:RED LILAC
2.	CONNECTOR:USB 3.0 A/M, 9P, BLUE INSULATOR SOLDER TYPE, NICKEL PLATED SHELL
3.	CONNECTOR:USB 3.0 MicroB/M, 10P, BLACK INSULATOR SOLDER TYPE, NICKEL PLATED SHELL
4.	ABS ASSEMBLY HOUSING, BLACK COLOR
5.	SCREW:#4x34.5 M2
6.	SCREW:#4x33 M2

Jargy part no.	Client part no.	Approved	SCALE	UNIT
CBL-HFD3igMBSS-xm			1 : 2	mm
Drawing Name		Drawn	Date	REV.
USB 3.0 A to Micro-B Cable M/M		<i>Kevin Hsu</i>	2016/08/17	1.0

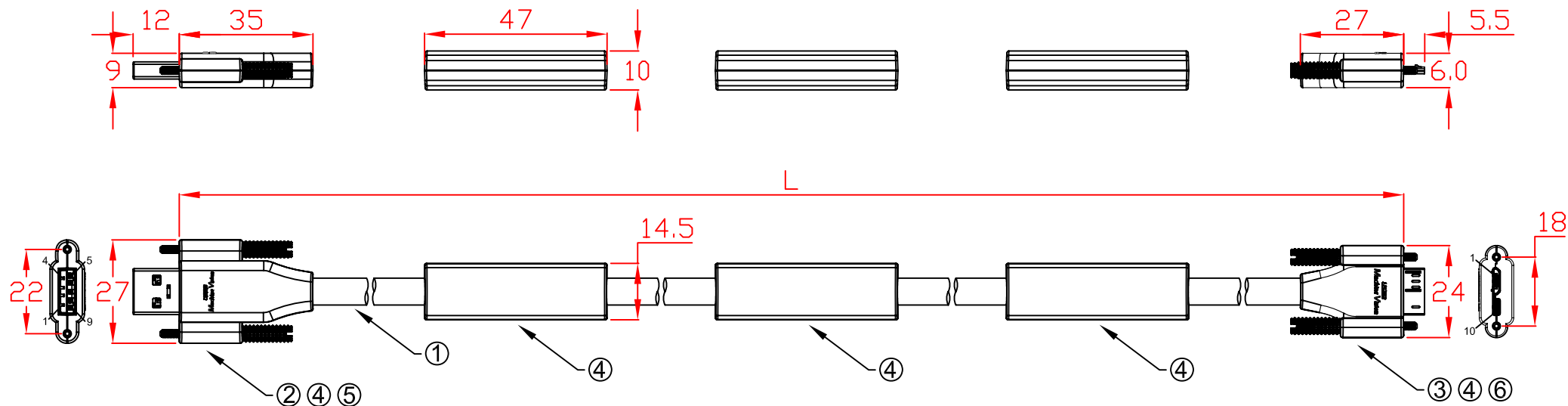


L:  
 CBL-HFD3igMBSS-10m 10000mm±50mm  
 CBL-HFD3igMBSS-11m 11000mm±50mm  
 CBL-HFD3igMBSS-12m 12000mm±50mm

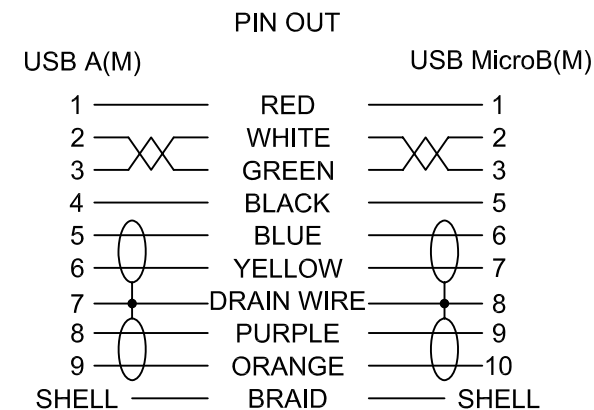


No	MATERIALS LIST:
1.	CABLE:UL20236 (2x(2x28AWG)+2x(2x28AWG)C) OD:7.0mm PUR JACKET COLOR:RED LILAC
2.	CONNECTOR:USB 3.0 A/M, 9P, BLUE INSULATOR SOLDER TYPE, NICKEL PLATED SHELL
3.	CONNECTOR:USB 3.0 MicroB/M, 10P, BLACK INSULATOR SOLDER TYPE, NICKEL PLATED SHELL
4.	ABS ASSEMBLY HOUSING, BLACK COLOR
5.	SCREW:#4x34.5 M2
6.	SCREW:#4x33 M2

Jargy part no.	Client part no.	Approved	SCALE	UNIT
CBL-HFD3igMBSS-xm			1 : 2	mm
Drawing Name		Drawn	Date	REV.
USB 3.0 A to Micro-B Cable M/M		<i>Kevin Hsu</i>	2016/06/02	1.0

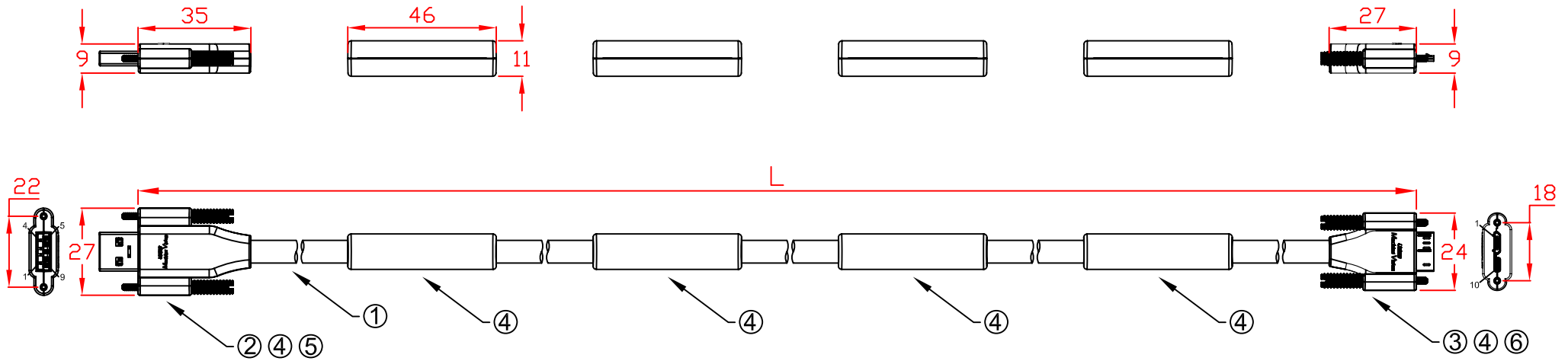


L:  
 CBL-HFD3igMBSS-10m 10000mm±50mm  
 CBL-HFD3igMBSS-11m 11000mm±50mm  
 CBL-HFD3igMBSS-12m 12000mm±50mm

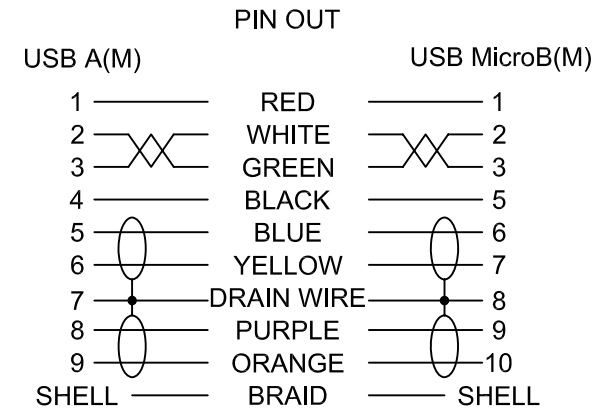


No	MATERIALS LIST:
1.	CABLE:UL20236 (2x(2x28AWG)+2x(2x28AWG)C) OD:7.0mm PUR JACKET COLOR:RED LILAC
2.	CONNECTOR:USB 3.0 A/M, 9P, BLUE INSULATOR SOLDER TYPE, NICKEL PLATED SHELL
3.	CONNECTOR:USB 3.0 MicroB/M, 10P, BLACK INSULATOR SOLDER TYPE, NICKEL PLATED SHELL
4.	ABS ASSEMBLY HOUSING, BLACK COLOR
5.	SCREW:#4x34.5 M2
6.	SCREW:#4x33 M2

Jargy part no.	Client part no.	Approved	SCALE	UNIT
CBL-HFD3igMBSS-xm			1 : 2	mm
Drawing Name		Drawn	Date	REV.
USB 3.0 A to Micro-B Cable M/M		<i>Kevin Hsu</i>	2016/08/17	1.0



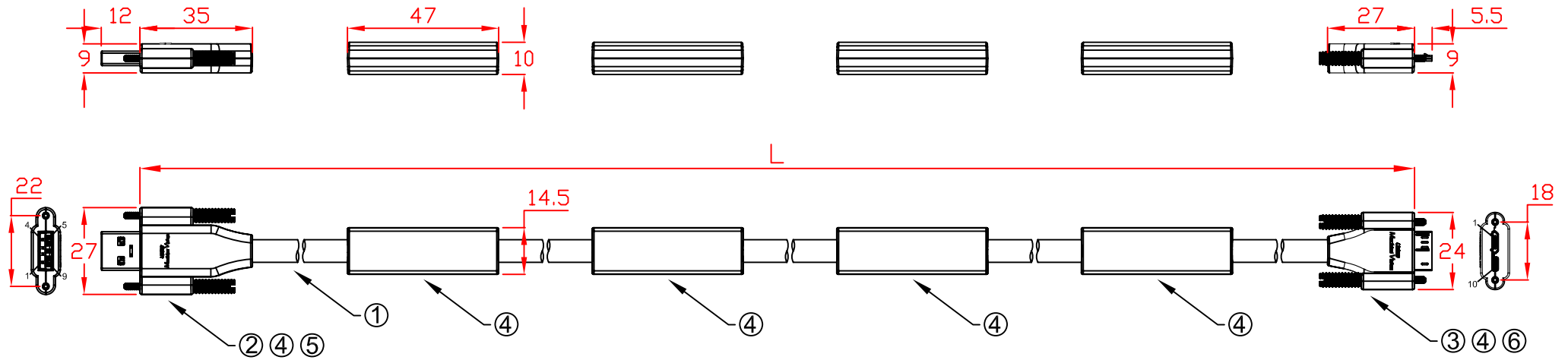
L:  
 CBL-HFD3igMBSS-13m 13000mm±50mm  
 CBL-HFD3igMBSS-14m 14000mm±50mm  
 CBL-HFD3igMBSS-15m 15000mm±50mm



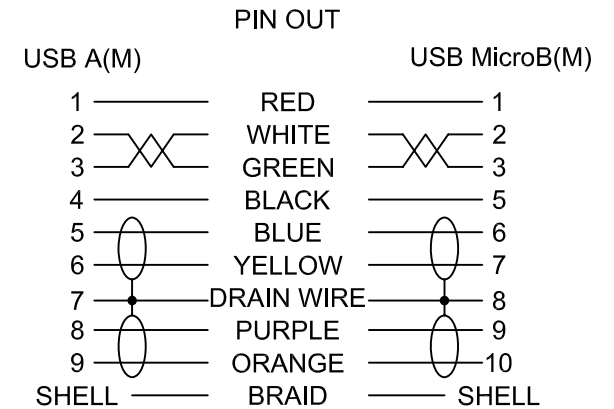
No	MATERIALS LIST:
1.	CABLE:UL20236 (2x(2x28AWG)+2x(2x28AWG)C) OD:7.0mm PUR JACKET COLOR:RED LILAC
2.	CONNECTOR:USB 3.0 A/M, 9P, BLUE INSULATOR SOLDER TYPE, NICKEL PLATED SHELL
3.	CONNECTOR:USB 3.0 MicroB/M, 10P, BLACK INSULATOR SOLDER TYPE, NICKEL PLATED SHELL
4.	ABS ASSEMBLY HOUSING, BLACK COLOR
5.	SCREW:#4x34.5 M2
6.	SCREW:#4x33 M2

Jargy part no.	Client part no.	Approved	SCALE	UNIT
CBL-HFD3igMBSS-xm			1 : 2	mm
Drawing Name		Drawn	Date	REV.
USB 3.0 A to Micro-B Cable M/M		<i>Kevin Hsu</i>	2016/06/02	1.0



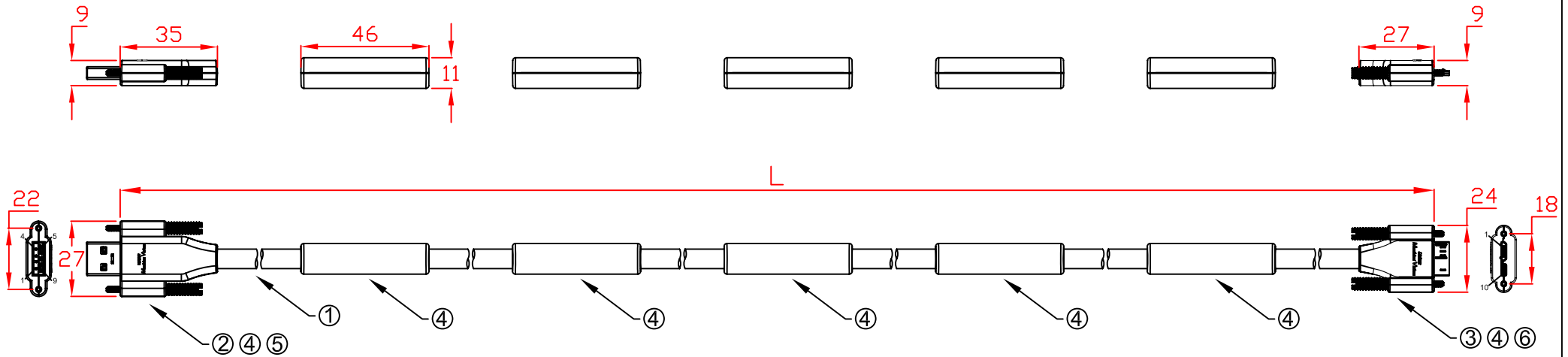


L:  
 CBL-HFD3igMBSS-13m 13000mm±50mm  
 CBL-HFD3igMBSS-14m 14000mm±50mm  
 CBL-HFD3igMBSS-15m 15000mm±50mm

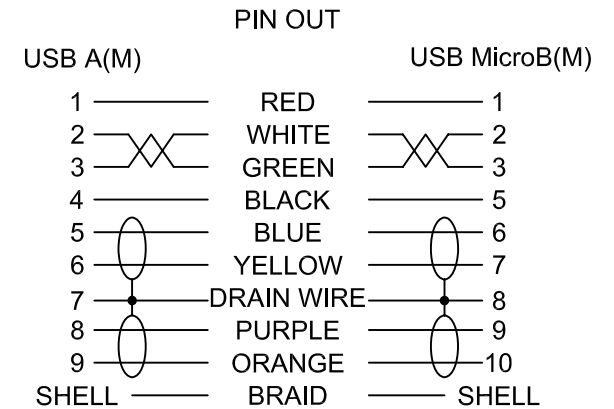


No	MATERIALS LIST:
1.	CABLE:UL20236 (2x(2x28AWG)+2x(2x28AWG)C) OD:7.0mm PUR JACKET COLOR:RED LILAC
2.	CONNECTOR:USB 3.0 A/M, 9P, BLUE INSULATOR SOLDER TYPE, NICKEL PLATED SHELL
3.	CONNECTOR:USB 3.0 MicroB/M, 10P, BLACK INSULATOR SOLDER TYPE, NICKEL PLATED SHELL
4.	ABS ASSEMBLY HOUSING, BLACK COLOR
5.	SCREW:#4x34.5 M2
6.	SCREW:#4x33 M2

Jargy part no.	Client part no.	Approved	SCALE	UNIT
CBL-HFD3igMBSS-xm			1 : 2	mm
Drawing Name		Drawn	Date	REV.
USB 3.0 A to Micro-B Cable M/M		<i>Kevin Hsu</i>	2016/08/17	1.0

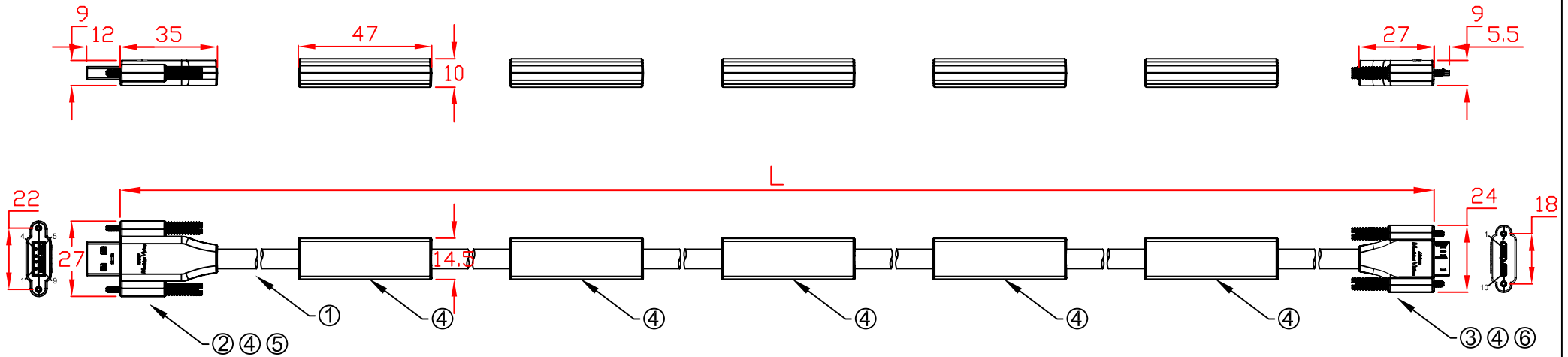


L:  
 CBL-HFD3igMBSS-16m 16000mm±50mm  
 CBL-HFD3igMBSS-17m 17000mm±50mm  
 CBL-HFD3igMBSS-18m 18000mm±50mm  
 CBL-HFD3igMBSS-19m 19000mm±50mm  
 CBL-HFD3igMBSS-20m 20000mm±50mm

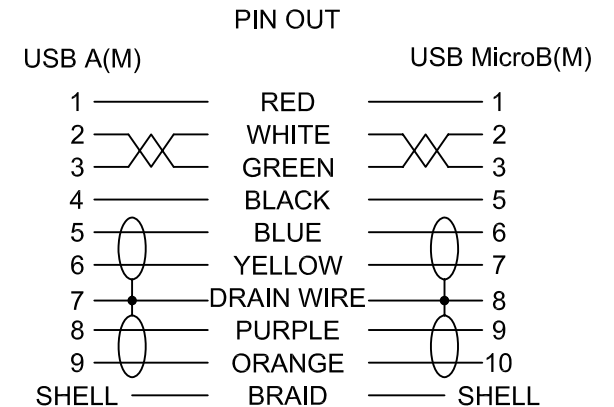


No	MATERIALS LIST:
1.	CABLE:UL20236 (2x(2x28AWG)+2x(2x28AWG)C) OD:7.0mm PUR JACKET COLOR:RED LILAC
2.	CONNECTOR:USB 3.0 A/M, 9P, BLUE INSULATOR SOLDER TYPE, NICKEL PLATED SHELL
3.	CONNECTOR:USB 3.0 MicroB/M, 10P, BLACK INSULATOR SOLDER TYPE, NICKEL PLATED SHELL
4.	ABS ASSEMBLY HOUSING, BLACK COLOR
5.	SCREW:#4x34.5 M2
6.	SCREW:#4x33 M2

Jargy part no.	Client part no.	Approved	SCALE	UNIT
CBL-HFD3igMBSS-xm			1 : 2	mm
Drawing Name		Drawn	Date	REV.
USB 3.0 A to Micro-B Cable M/M		<i>Kevin Hsu</i>	2016/06/02	1.0



- L:
- CBL-HFD3igMBSS-16m 16000mm±50mm
  - CBL-HFD3igMBSS-17m 17000mm±50mm
  - CBL-HFD3igMBSS-18m 18000mm±50mm
  - CBL-HFD3igMBSS-19m 19000mm±50mm
  - CBL-HFD3igMBSS-20m 20000mm±50mm



No	MATERIALS LIST:
1.	CABLE:UL20236 (2x(2x28AWG)+2x(2x28AWG)C) OD:7.0mm PUR JACKET COLOR:RED LILAC
2.	CONNECTOR:USB 3.0 A/M, 9P, BLUE INSULATOR SOLDER TYPE, NICKEL PLATED SHELL
3.	CONNECTOR:USB 3.0 MicroB/M, 10P, BLACK INSULATOR SOLDER TYPE, NICKEL PLATED SHELL
4.	ABS ASSEMBLY HOUSING, BLACK COLOR
5.	SCREW:#4x34.5 M2
6.	SCREW:#4x33 M2

Jargy part no.	Client part no.	Approved	SCALE	UNIT
CBL-HFD3igMBSS-xm			1 : 2	mm
Drawing Name		Drawn	Date	REV.
USB 3.0 A to Micro-B Cable M/M		<i>Kevin Hsu</i>	2016/08/17	1.0